

Dome Fiber Optic Splice Closure

GL08-12M, GL08-24M... GL08-120M

Description:

GL08-12M, GL08-24M... GL08-120M is widely applied to the fiber optic cable splicing, distributing in fiber optic communication network.



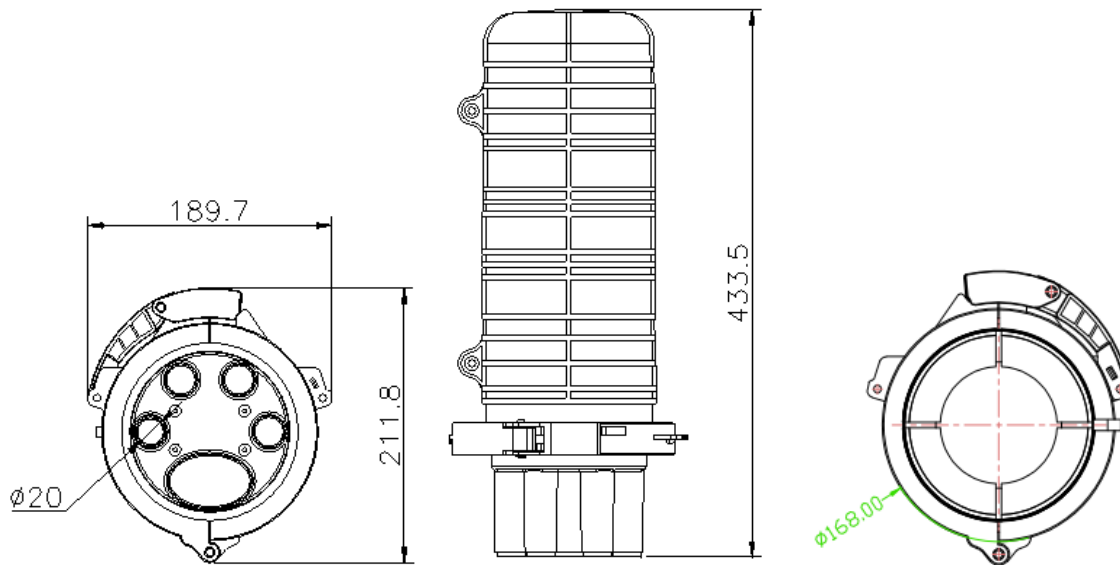
Feature:

- 1) Splice tray: Max. 5pcs, each 24cores
- 2) Cable port: 4pcs round port $\phi 20\text{mm}$, 1pc oval port for supporting cable entry without cutting. All cable ports are heat shrink sealing.
- 3) Waterproof: IP68
- 4) Wall-mounting, aerial hanger and pole-mount, buried
- 5) Material: outer shell use high impact resistance PP materials with UV. Inside structure use ABS plastic .

Accessories:



Dimension:



Accessories:

Item	name	Specification	unit	Qty(pcs)	remark
1	tube	D= $\varnothing 4$ mm thickness 0.6mm,white	M	2	
2	Cable splitter	Size:S	PCS	1	
3	Silver pater	15cm*10cm (with adhesive)	PCS	1	
4	Heat shrinkable tube	$\varnothing 30$ *100mm/black	PCS	4	
5	Heat shrinkable tube	$\varnothing 60$ *150mm/black	PCS	1	
6	Plastic cable tie	3mm*120mm/white	PCS	5	
7	Splice protect sleeve	60MM*3.0*1.5	PCS	/	According to splice fiber qty
8	Insulating tape	0.15*17mm*8 /black	PCS	1	
9	Magic tape	350MM*15MM*3MM/black	PCS	1	
10	Abrasive paper	320# (280*60mm)	PCS	1	
11	Aerial kits	201 stainless steel	sets	1	

Optional accessories:

Item	Name	Model	Qty	Remark
1	Splice tray	R026	5pcs	Max. for 5pcs