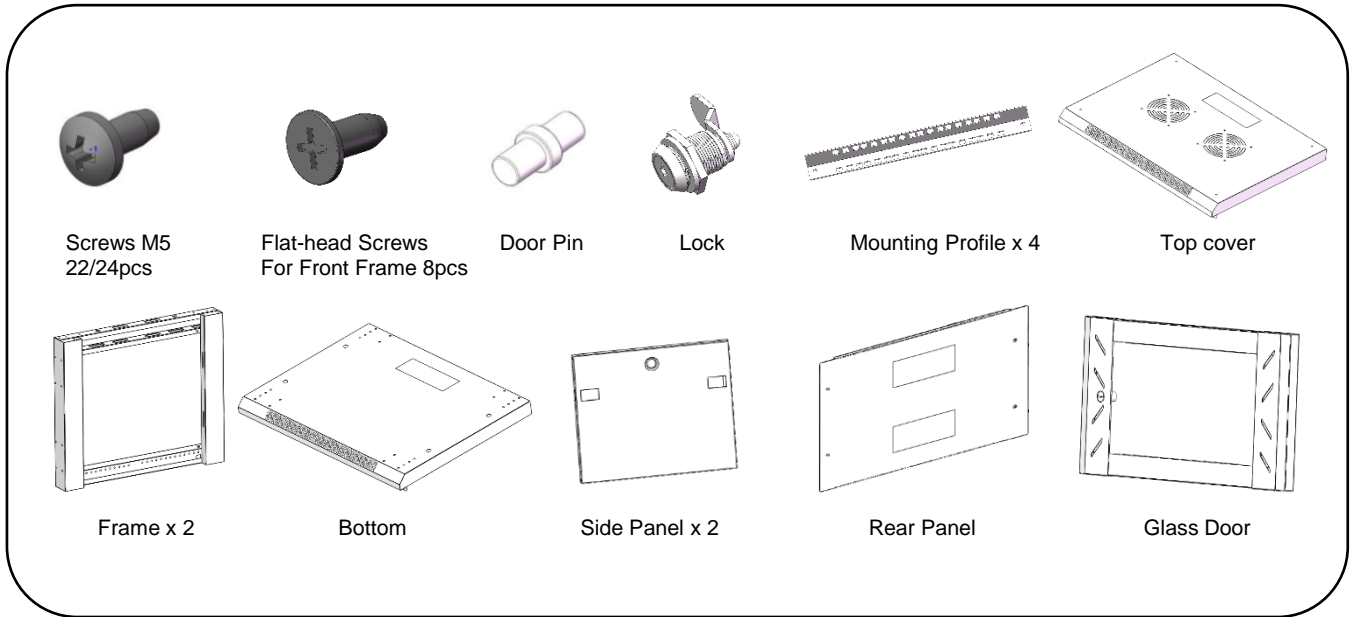
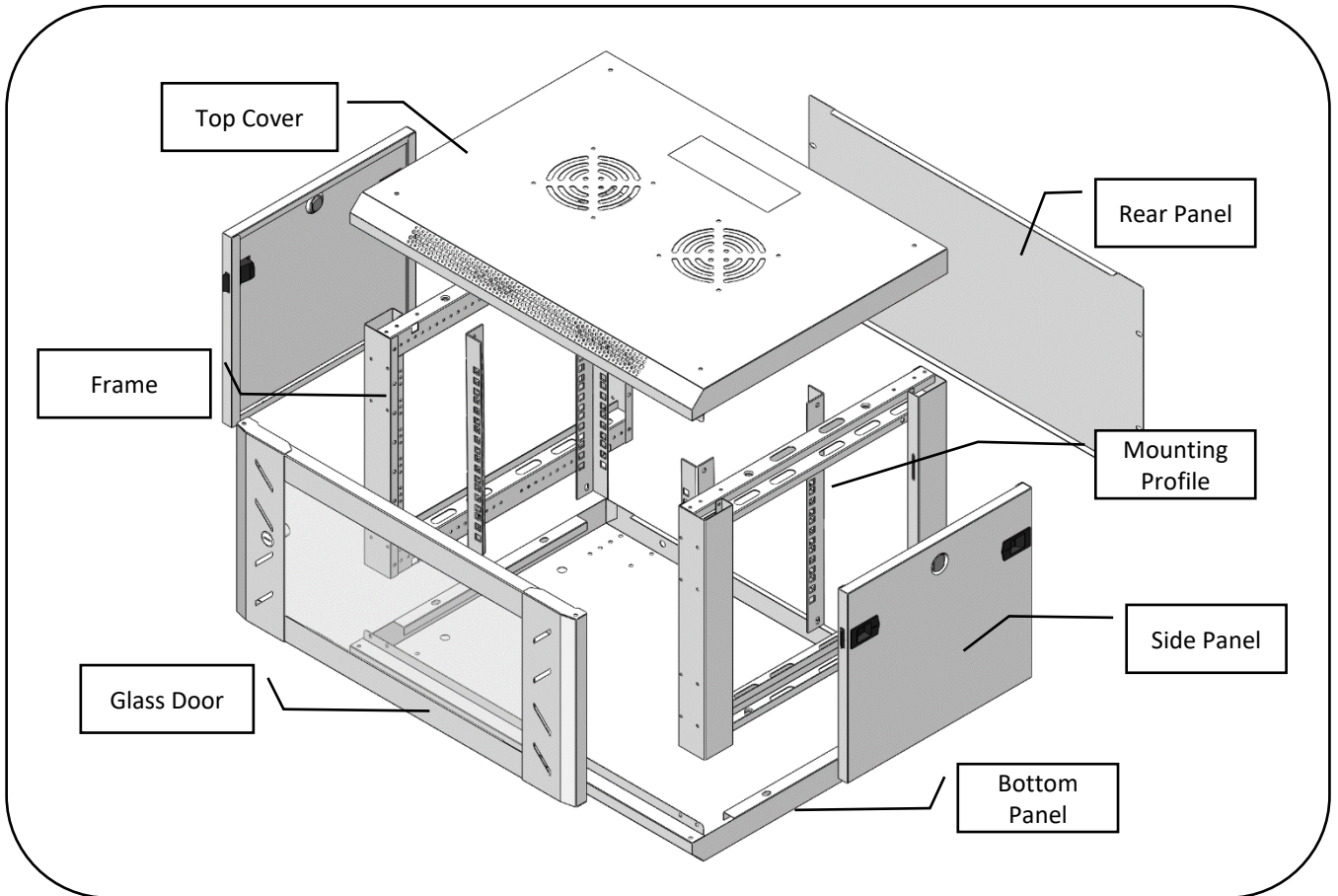


## ►►► Assembly packing list

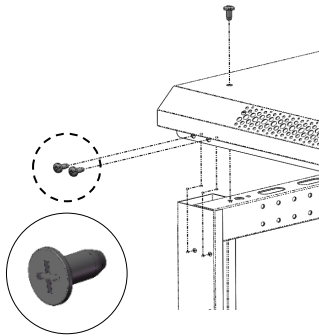
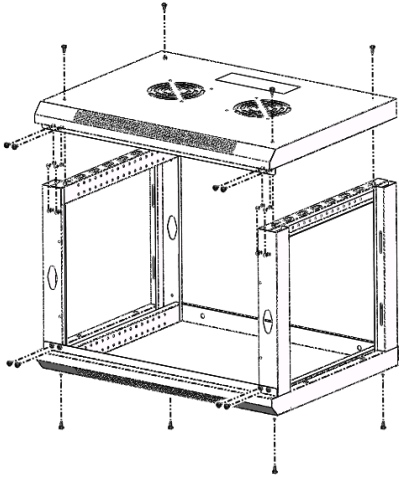


## ►►► Exploded-View;

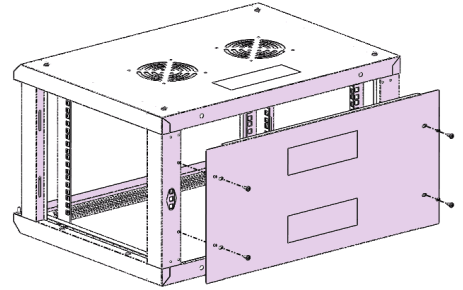


# Assembly instructions

## Step 1: Fix the frame;

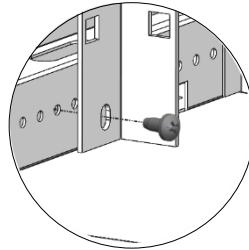
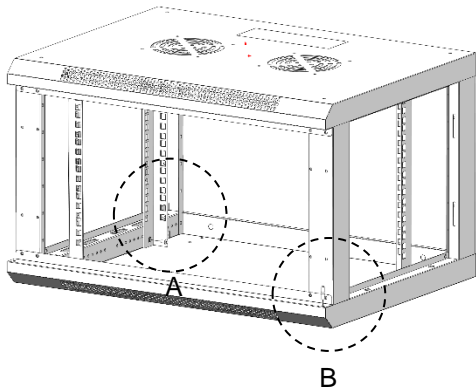


Fix the top cover and bottom with 8pcs screws; Then fasten front frame with 8pcs Flat-head screws !



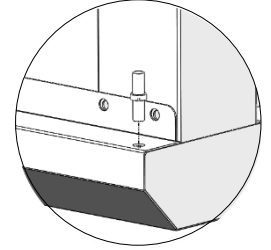
Fix the rear panel with 4pcs screws. 12U/15U/18U cabinet please fix 6pcs screws

## Step 2: Fix the mounting profile;



A Detail

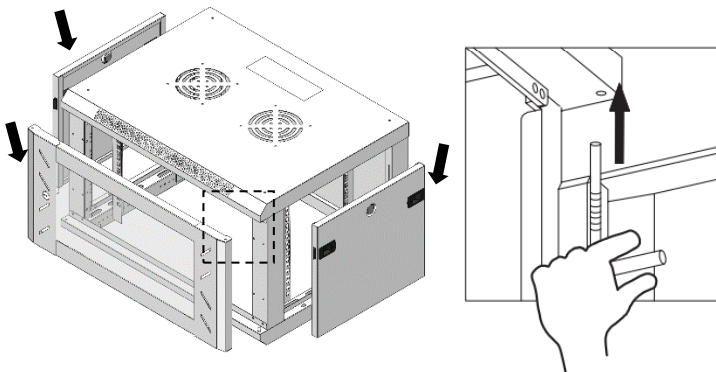
Fix the 4pcs mounting profile on the frame with 8pcs screws. Please fasten 1 screw on the upper an lower part of every mounting profile.



B Detail

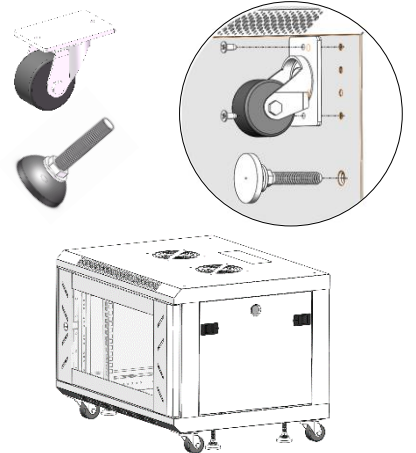
Fix the door pin.

## Step 3: Fix the door and panel;



Fix the lock on front door; Lastly install the side panels.

Casters and feet are optional



Complete! Thank you!