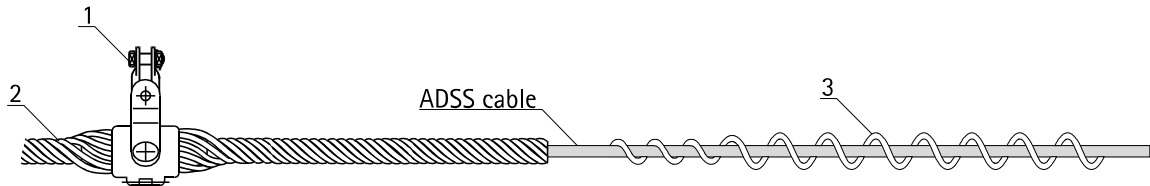


Fittings for ADSS cable with **12,1** mm dia.

Customer :
 Project : Spans 150-300m
 ADSS : **LTC-ADSS 150** (77674-TKF.no.) Tm=9300N / TI=8200N

12.08.13

Suspension fittings, (hanging)



Item	Part name	RIBE-No.	Q'ty	Price per piece / Euro
1	Shackle S19	F 6242/2	1	4,16
2	Armor grip suspension	LTA 125130/10	1	35,49
3	Avibra-vibration damper	DB 122104	2*	9,75

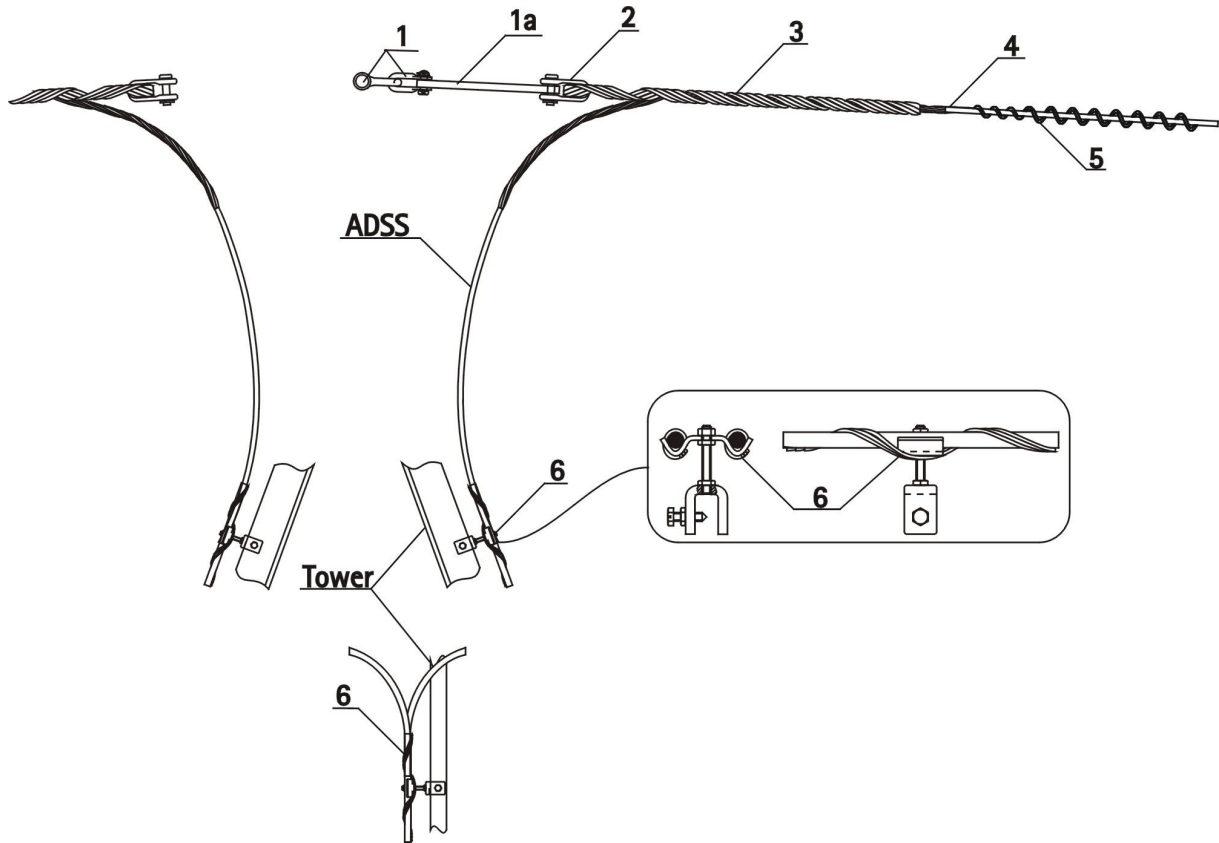
* Quantity depends on RIBE-Vibration damper study

Fittings for ADSS cable with **12,1** mm dia.

Customer :
 Project : Spans 150-300m
 ADSS : **LTC-ADSS 150** (77674-TKF.no.) Tm=9300N / TI=8200N

12.08.13

Tension fittings with joint box (two sided)



Item	Part name	RIBE-No.	Q'ty	Price per piece / Euro
1	Shackle S19	F 6242/2	4	4,16
1a	Extension link (600mm)	B 898 002/4	2	11,05
2	Thimble	F 2685/3	2	4,16
3	Helical dead end	AG 177103s	2	11,57
4	Protection rods	URG 126146 lis	2	15,73
5	Avibra-vibration damper	DB 122104	*	9,75
6	Tower fixing clamp for steel latic towers	B 844 001-15A3B3	**	11,05

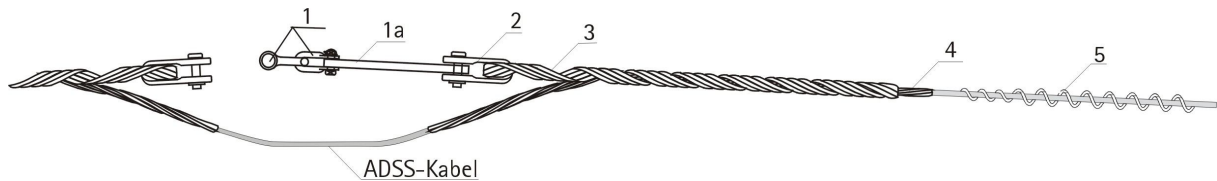
* Quantity depends on RIBE-Vibration damper study. ** depends on customer

Fittings for ADSS cable with **12,1** mm dia.

Customer :
 Project : Spans 150-300m
 ADSS : **LTC-ADSS 150** (77674-TKF.no.) Tm=9300N / TI=8200N

12.08.13

Tension fittings without joint box (two sided)



Item	Part name	RIBE-No.	Q'ty	Price per piece / Euro
1	Shackle S16	F 6242/2	4	4,16
1a	Extension link (300mm)	B 898 002/4	2	11,05
2	Thimble	F 2685/3	2	4,16
3	Helical dead end	AG 177103s	2	11,57
4	Protection rods	URG 126146 lis	2	15,73
5	Avibra-vibration damper	DB 122104	*	9,75

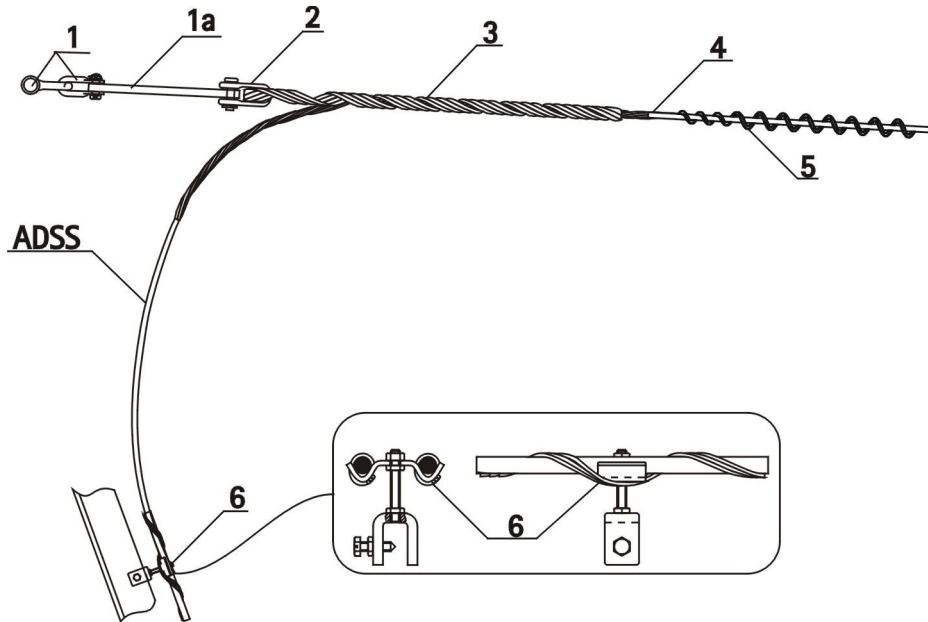
* Quantity depends on RIBE-Vibration damper study.

Fittings for ADSS cable with **12,1** mm dia.

Customer :
 Project : Spans 150-300m
 ADSS : **LTC-ADSS 150** (77674-TKF.no.) Tm=9300N / TI=8200N

12.08.13

Tension fittings with joint box (one sided) (for terminal towers)



Item	Part name	RIBE-No.	Q'ty	Price per piece / Euro
1	Shackle S16	F 6242/2	2	4,16
1a	Extension link (600mm)	B 898 002/4	1	11,05
2	Thimble	F 2685/3	1	4,16
3	Helical dead end	AG 177103s	1	11,57
4	Protection rods	URG 126146 lis	1	15,73
5	Avibra-vibration damper	DB 122104	*	9,75
6	Tower fixing clamp for steel latic towers	B 844 001-15A3B3	**	11,05

* Quantity depends on RIBE-Vibration damper study. ** depends on customer

Tower fixing clamp for steel latic towers



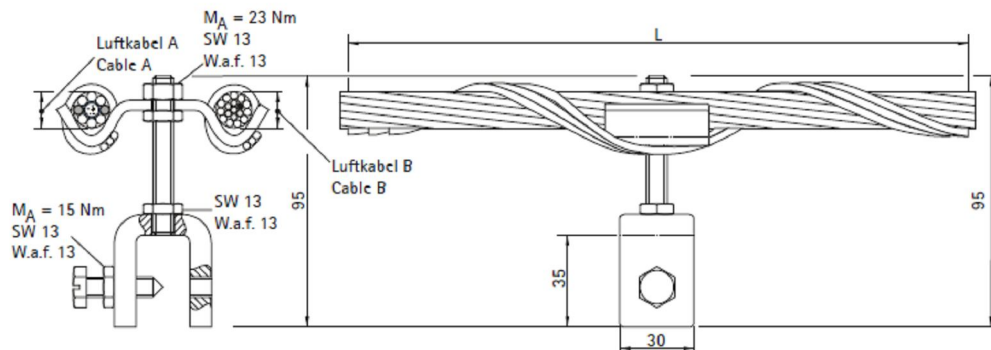
RIBE ELECTRICAL FITTINGS
 Bahnhofstr. 8-16
 D-91124 Schwabach

Page: **4**
 Tel.: **09122 / 87 - 1313**
 Fax.: **09122 / 87 - 1156**
 E-mail: steffen.schroeter@ribe.de

Fittings for ADSS cable with **12,1** mm dia.

Customer :
 Project : Spans 150-300m
 ADSS : **LTC-ADSS 150** (77674-TKF.no.) Tm=9300N / TI=8200N

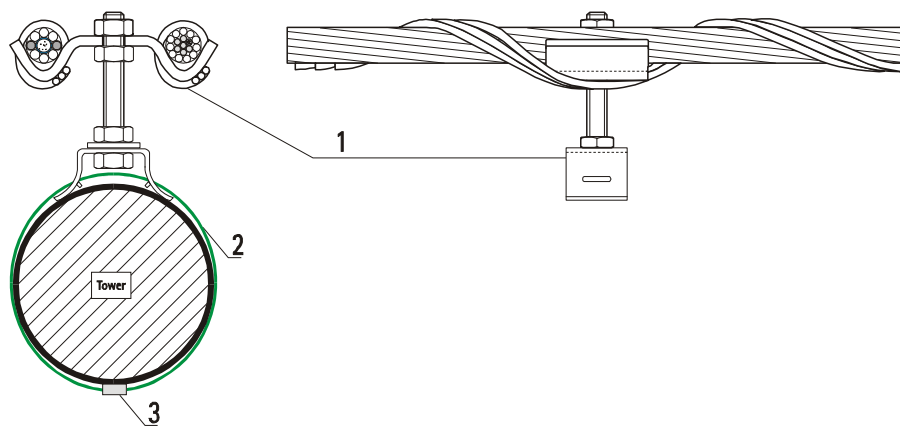
12.08.13



Item	Part name	RIBE-No.	Q'ty	Price per piece / Euro
1	Fixing clamp	B 844 001-15A3B3	*	11,05

*Quantity depends from final customer.

Tower fixing clamp for poles



Item	Part name	RIBE-No.	Q'ty	Price per piece / Euro
1	Fixing clamp (without fixing clip and steel tape)	B 844 002/A3 B3	*	13,00

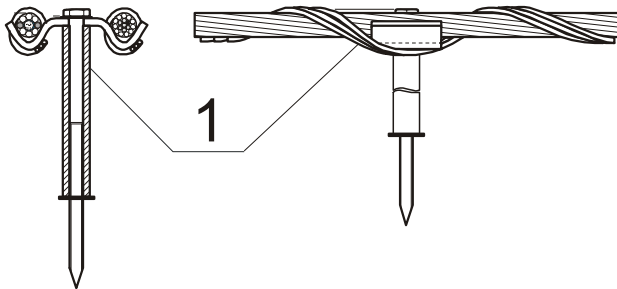
*Quantity depends from final customer.

Tower fixing clamp for wooden poles

Fittings for ADSS cable with **12,1** mm dia.

Customer :
 Project : Spans 150-300m
 ADSS : **LTC-ADSS 150 (77674-TKF.no.)** Tm=9300N / TI=8200N

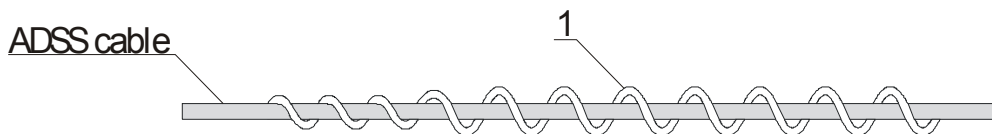
12.08.13



Item	Part name	RIBE-No.	Q'ty	Price per piece / Euro
1	Fixing clamp	B 844 003/A5 B5	*	12,35

*Quantity depends from final customer.

Avibra vibration damper



Item	Part name	RIBE-No.	Q'ty	Price per piece / Euro
1	Avibra-vibration damper	DB 122104	**	9,75

** depends on the damper vibration study